



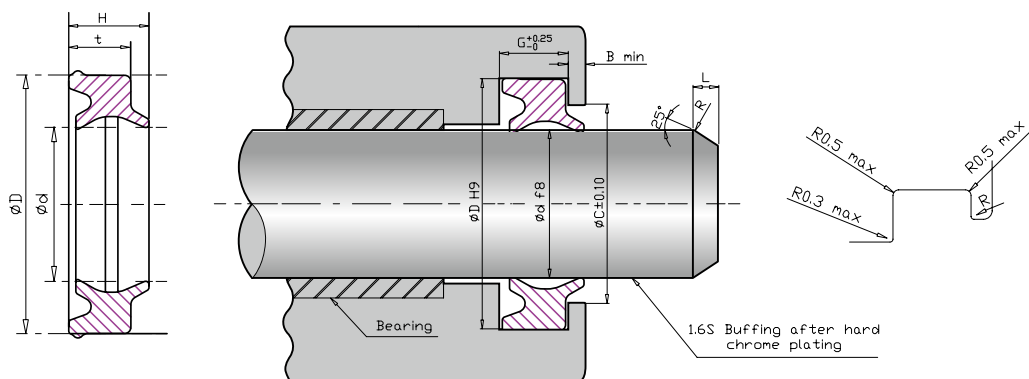
TOPSEAL

SEAL IS SOMETHING · QUALITY IS EVERYTHING

UA25 SERIES PNEUMATIC

UA25 Series

Double Lip Rod Wiper Seal



NBR 80 PHYSICAL PROPERTIES

Working Pressure: ≤ 1.6 Mpa			Hardness	80 Shore A	DIN53505
Working Temperature: $-25^{\circ}\text{C} \sim +100^{\circ}\text{C}$				80 Shore A	ASTM D2240
Surface Speed: ≤ 1.0 m/s			Tensile Strength	20.23 Mpa	DIN53504
				2934 psi	ASTM D-412
Compression Set	8%	DIN53517	Elongation	285 %	DIN53504
24 hrs @ 100°C	8%	ASTM D-395		285 %	ASTM D-412
			Standard Compound	N8039AA	
			Color	Black ●	

CODE	d (mm)	D (mm)	H	t
UA25001	6.00	10.00	4.40	3.00
UA25002	8.00	12.00	4.90	3.50
UA25003	10.00	14.00	4.90	3.50
UA25004	12.00	16.00	4.90	3.50
UA25005	14.00	18.00	4.90	3.50
UA25006	16.00	24.00	7.50	5.50
UA25007	20.00	28.00	7.50	5.50
UA25008	25.00	33.00	7.50	5.50
UA25009	30.00	40.00	8.50	6.50
UA25010	32.00	42.00	8.50	6.50
UA25011	35.00	45.00	8.50	6.50
UA25012	36.00	46.00	8.50	6.50
UA25013	40.00	50.00	8.50	6.50
UA25014	45.00	55.00	8.50	6.50