



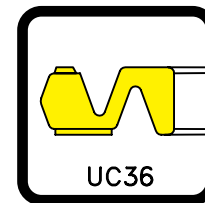
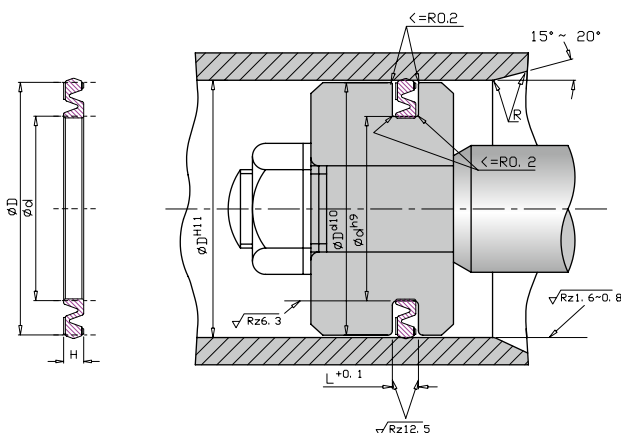
TOPSEAL

SEAL IS SOMETHING · QUALITY IS EVERYTHING

UC36 SERIES PNEUMATIC

UC36 Series

Low Friction Compact Piston Seal



FKM/FPM 75 PHYSICAL PROPERTIES			
Working Pressure: ≤ 1.2 Mpa			
Working Temperature: $-20^\circ\text{C} \sim +225^\circ\text{C}$			
Surface Speed: ≤ 1.0 m/s			
Hardness	75 Shore A	DIN53505	
Tensile Strength	15.3 Mpa	DIN53504	
	2214 psi	ASTM D-412	
Elongation	241 %	DIN53504	
Compression Set	9 %	DIN53517	
22hrs @ 200°C	9 %	ASTM D-395	
Standard Compound	V7514AA		
Color	Black ●		

NBR 80 PHYSICAL PROPERTIES			
Working Pressure: ≤ 1.2 Mpa			
Working Temperature: $-25^\circ\text{C} \sim +100^\circ\text{C}$			
Surface Speed: ≤ 1.0 m/s			
Hardness	80 Shore A	DIN53505	
Tensile Strength	20.23 Mpa	DIN53504	
	2934 psi	ASTM D-412	
Elongation	285 %	DIN53504	
Compression Set	8 %	DIN53517	
24hrs @ 100°C	8 %	ASTM D-395	
Standard Compound	N8039AA		
Color	Black ●		

CODE	D (mm)	d (mm)	L	H
UC36001	12.0	7.0	2.5	2.2
UC36002	16.0	9.0	2.5	2.4
UC36003	20.0	13.0	2.5	2.3
UC36004	25.0	18.0	2.5	2.4
UC36005	30.0	21.0	3.0	2.9
UC36006	32.0	23.0	3.0	2.9
UC36007	35.0	26.0	3.0	2.9
UC36008	40.0	31.0	3.0	2.9
UC36009	42.0	35.0	2.5	2.4
UC36010	45.0	36.0	3.0	2.8
UC36011	50.0	41.0	3.0	2.9
UC36012	60.0	48.0	4.0	3.9
UC36013	63.0	51.0	4.0	3.9
UC36014	70.0	58.0	4.0	3.9
UC36015	80.0	68.0	4.0	3.9
UC36016	100.0	88.0	4.0	3.9
UC36017	125.0	110.0	5.0	4.9
UC36018	90.0	78.0	3.9	3.8