



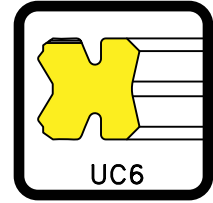
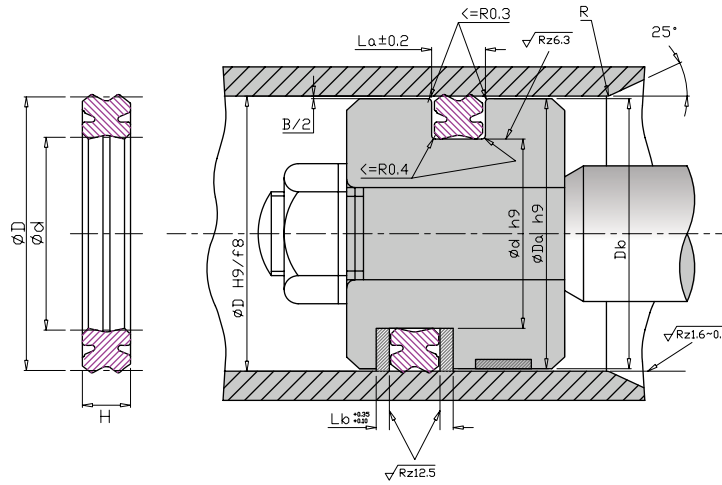
TOPSEAL

SEAL IS SOMETHING · QUALITY IS EVERYTHING

UC6 SERIES HYDRAULIC

UC6 Series

Packing for Piston



	P	PH	S	P	P	S
Working Pressure: ≤ 14 Mpa						
Working Temperature: $-20^\circ\text{C} \sim +225^\circ\text{C}$						
Surface Speed: ≤ 1.0 m/s						
Hardness	90	Shore A				DIN53505
Tensile Strength	16.7	Mpa				DIN53504
	2422	psi				ASTM D-412
Elongation	139	%				DIN53504
Compression Set	16.7	%				DIN53517
70hrs @ 175°C	16.7	%				ASTM D-395
Standard Compound						V9059AA
Color						Black ●

NBR 85 PHYSICAL PROPERTIES						
Working Pressure: ≤ 14 Mpa						
Working Temperature: $-25^\circ\text{C} \sim +100^\circ\text{C}$						
Surface Speed: ≤ 1.0 m/s						
Hardness	88	Shore A				DIN53505
Tensile Strength	20.7	Mpa				DIN53504
	3008	psi				ASTM D-412
Elongation	130	%				DIN53504
Compression Set	4.9	%				DIN53517
24hrs @ 100°C	4.9	%				ASTM D-395
Standard Compound						N8594AA
Color						Black ●

CODE	D (mm)	d (mm)	H (mm)	La	Lb	Da	Db
UC60001	40	30	6.5	7.0	11.0	39.5	38.5
UC60002	45	35	6.5	7.0	11.0	44.5	43.5
UC60003	50	40	6.5	7.0	11.0	49.5	48.5
UC60004	55	45	6.5	7.0	11.0	54.4	53.0
UC60005	60	50	6.5	7.0	11.0	59.4	58.0
UC60006	63	53	6.5	7.0	11.0	62.4	61.0
UC60007	65	55	6.5	7.0	12.0	64.4	63.0
UC60008	70	60	6.5	7.0	12.0	69.4	68.0
UC60009	75	65	6.5	7.0	12.0	74.4	73.0
UC60010	80	67	8.0	8.5	13.5	79.4	78.0
UC60011	85	72	8.0	8.5	13.5	84.4	83.0
UC60012	90	77	8.0	8.5	13.5	89.4	88.0
UC60013	100	85	9.0	10.0	16.0	99.4	98.0