



TOPSEAL

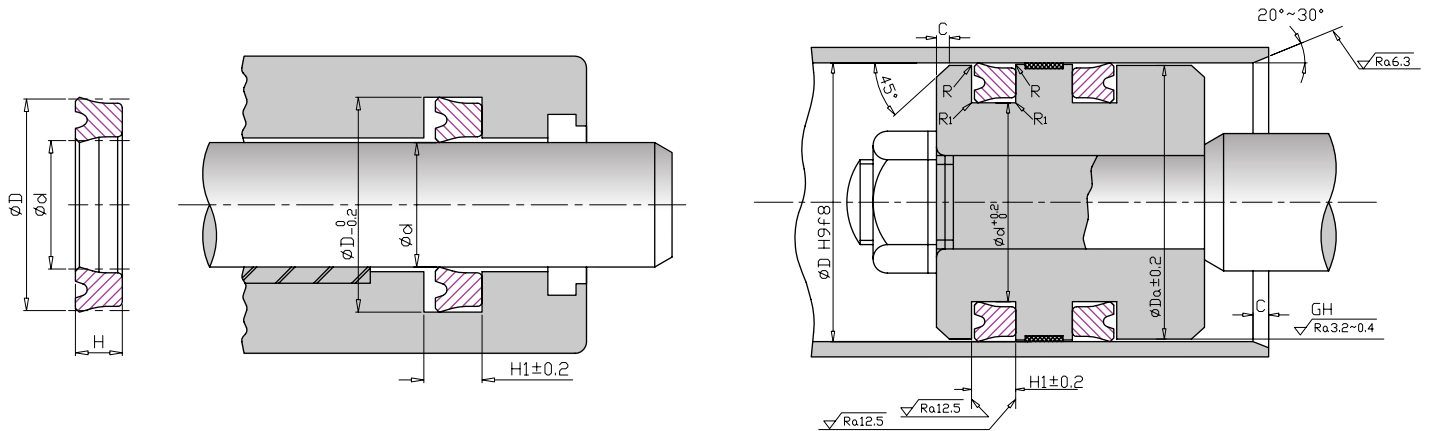
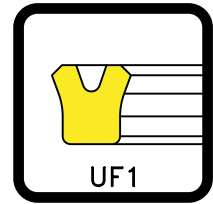
SEAL IS SOMETHING · QUALITY IS EVERYTHING



UF1 SERIES HYDRAULIC

UF1 Series

Symmetrical Piston & Rod U-Cup Seal



FKM/ FPM 90 PHYSICAL PROPERTIES			
Working Pressure: ≤ 14 Mpa			
Working Temperature: $-20^\circ\text{C} \sim +225^\circ\text{C}$			
Surface Speed: ≤ 1.0 m/s			
Hardness	90	Shore A	DIN53505
Tensile Strength	16.7	Mpa	DIN53504
	2422	psi	ASTM D-412
Elongation	139	%	DIN53504
Compression Set	16.7	%	DIN53517
70hrs @ 175°C	16.7	%	ASTM D-395
Standard Compound	V9059AA		
Color	Black ●		

NBR 85 PHYSICAL PROPERTIES			
Working Pressure: ≤ 14 Mpa			
Working Temperature: $-25^\circ\text{C} \sim +100^\circ\text{C}$			
Surface Speed: ≤ 1.0 m/s			
Hardness	85	Shore A	DIN53505
Tensile Strength	20.7	Mpa	DIN53504
	3008	psi	ASTM D-412
Elongation	130	%	DIN53504
Compression Set	4.9	%	DIN53517
24hrs @ 100°C	4.9	%	ASTM D-395
Standard Compound	N8594AA		
Color	Black ●		

CODE	d (mm)	D (mm)	H	H1	Da
UF10012	12.0	20.0	5.0	5.7	19.0
UF10014	14.0	22.0	5.0	5.7	21.0
UF10016	16.0	24.0	5.0	5.7	23.0
UF10018	18.0	26.0	5.0	5.7	25.0
UF10020	20.0	28.0	5.0	5.7	27.0
UF10022	22.0	30.0	5.0	5.7	29.0
UF122.4	22.4	30.0	5.0	5.7	29.0
UF123.5	23.5	31.5	5.0	5.7	30.5
UF10024	24.0	32.0	5.0	5.7	31.0
UF10025	25.0	33.0	5.0	5.7	32.0
UF10027	27.0	35.0	5.0	5.7	34.0
UF10A28	28.0	35.5	5.0	5.7	34.5
UF10B28	28.0	36.0	5.0	5.7	35.0
UF10030	30.0	40.0	6.0	7.0	39.0
UF131.5	31.5	41.5	6.0	7.0	40.5
UF10032	32.0	42.0	6.0	7.0	41.0

CODE	d (mm)	D (mm)	H	H1	Da
UF10035	35.0	45.0	6.0	7.0	44.0
UF135A5	35.5	45.0	6.0	7.0	44.0
UF135B5	35.5	45.5	6.0	7.0	44.5
UF10036	36.0	46.0	6.0	7.0	45.0
UF10040	40.0	50.0	6.0	7.0	49.0
UF10A45	45.0	55.0	6.0	7.0	54.0
UF10B45	45.0	56.0	7.0	8.0	55.0
UF10050	50.0	60.0	6.0	7.0	59.0
UF10053	53.0	63.0	6.0	7.0	62.0
UF10055	55.0	65.0	6.0	7.0	64.0
UF10056	56.0	66.0	6.0	7.0	65.0
UF10058	58.0	68.0	6.0	7.0	67.0
UF10A60	60.0	70.0	6.0	7.0	69.0
UF10B60	60.0	71.0	7.0	8.0	70.0
UF10061	61.0	71.0	6.0	7.0	70.0
UF10063	63.0	73.0	6.0	7.0	72.0

UF1 Series

Symmetrical Piston & Rod U-Cup Seal

CODE	d (mm)	D (mm)	H	H1	Da
UF10065	65.0	75.0	6.0	7.0	74.0
UF10067	67.0	77.0	6.0	7.0	76.0
UF10070	70.0	80.0	6.0	7.0	79.0
UF10071	71.0	80.0	6.0	7.0	79.0
UF10075	75.0	85.0	6.0	7.0	84.0
UF10080	80.0	90.0	6.0	7.0	89.0
UF10A85	85.0	95.0	6.0	7.0	94.0
UF10B85	85.0	100.0	9.0	10.0	98.0
UF10090	90.0	105.0	9.0	10.0	103.0
UF10095	95.0	110.0	9.0	10.0	108.0
UF10100	100.0	115.0	9.0	10.0	113.0
UF10106	106.0	120.0	8.5	9.5	118.0
UF10110	110.0	125.0	9.0	10.0	123.0
UF1B112	112.0	125.0	9.0	10.0	123.0
UF10125	125.0	140.0	9.0	10.0	138.0
UF10130	130.0	145.0	9.0	10.0	143.0
UF10136	136.0	150.0	8.5	9.5	148.0
UF10140	140.0	155.00	9.00	10.0	153.0
UF10145	145.0	160.0	9.0	10.0	158.0
UF10150	150.0	165.0	9.0	10.0	163.0
UF10160	160.0	175.0	9.0	10.0	173.0
UF10165	165.0	180.0	9.0	10.0	178.0
UF10180	180.0	200.0	12.0	13.0	198.0
UF10204	204.0	224.00	12.00	13.0	222.0
UF10230	230.0	250.0	12.0	13.0	248.0
UF10250	250.0	270.0	12.0	13.0	268.0
UF10295	295.0	315.0	14.0	15.0	313.0
UF10335	335.0	355.0	14.0	15.0	353.0
UF10400	400.0	420.0	14.0	15.0	418.0