



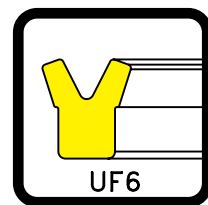
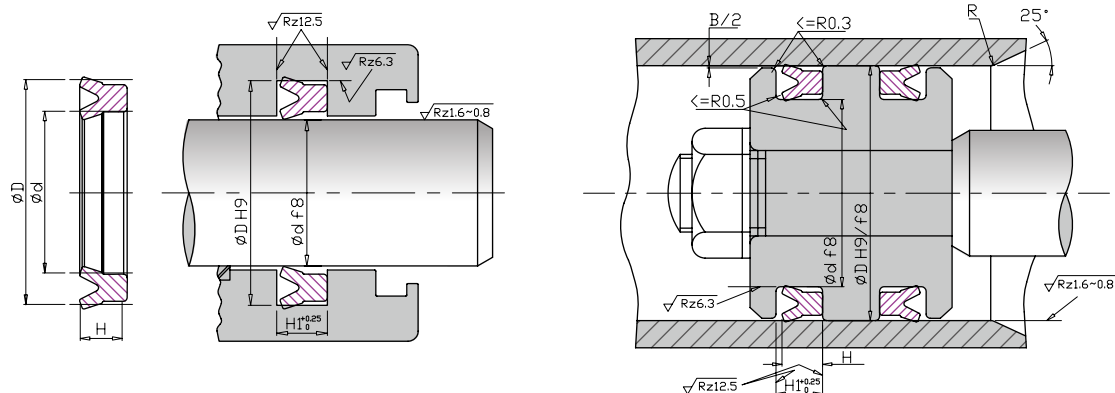
TOPSEAL

SEAL IS SOMETHING · QUALITY IS EVERYTHING

UF6 SERIES PNEUMATIC

UF6 Series

Low Friction Pneumatic Symmetrical Piston & Rod U-Cup Seal



FKM/FPM 70 PHYSICAL PROPERTIES			
Working Pressure: ≤ 0.8 Mpa			
Working Temperature: $-20^\circ\text{C} \sim +225^\circ\text{C}$			
Surface Speed: ≤ 1.0 m/s			
Hardness	70 Shore A	DIN53505	
Tensile Strength	14.1 Mpa	DIN53504	
	2044 psi	ASTM D-412	
Elongation	231 %	DIN53504	
Compression Set	8.1 %	DIN53517	
24hrs @ 175°C	8.1 %	ASTM D-395	
Standard Compound	V7029AA		
Color	Black ●		

NBR 75 PHYSICAL PROPERTIES			
Working Pressure: ≤ 0.8 Mpa			
Working Temperature: $-25^\circ\text{C} \sim +100^\circ\text{C}$			
Surface Speed: ≤ 1.0 m/s			
Hardness	75 Shore A	DIN53505	
Tensile Strength	22.8 Mpa	DIN53504	
	3306 psi	ASTM D-412	
Elongation	320 %	DIN53504	
Compression Set	10.9 %	DIN53517	
24hrs @ 100°C	10.9 %	ASTM D-395	
Standard Compound	N7539AA		
Color	Black ●		

CODE	d (mm)	D (mm)	H	H1
UF60001	3.0	6.0	2.1	2.5
UF60002	4.0	7.0	2.1	2.5
UF60003	5.0	8.0	2.1	2.5
UF60004	6.0	9.0	2.1	2.5
UF60005	7.0	10.0	2.1	2.5
UF60006	8.0	11.0	2.1	2.5
UF60007	9.0	12.0	2.1	2.5
UF60008	10.0	13.0	2.1	2.5
UF60009	10.0	14.0	2.8	3.2
UF60010	11.0	15.0	2.8	3.2
UF60011	11.2	15.2	2.8	3.2
UF60012	12.0	16.0	2.8	3.2
UF60013	12.5	16.5	2.8	3.2
UF60014	14.0	18.0	2.8	3.2
UF60015	15.0	19.0	2.8	3.2
UF60016	16.0	20.0	2.8	3.2
UF60017	18.0	22.0	2.8	3.2
UF60018	20.0	24.0	2.8	3.2
UF60019	21.0	25.0	2.8	3.2
UF60020	22.0	26.0	2.8	3.2
UF60021	24.0	30.0	4.2	4.7
UF60022	34.0	40.0	4.2	4.7